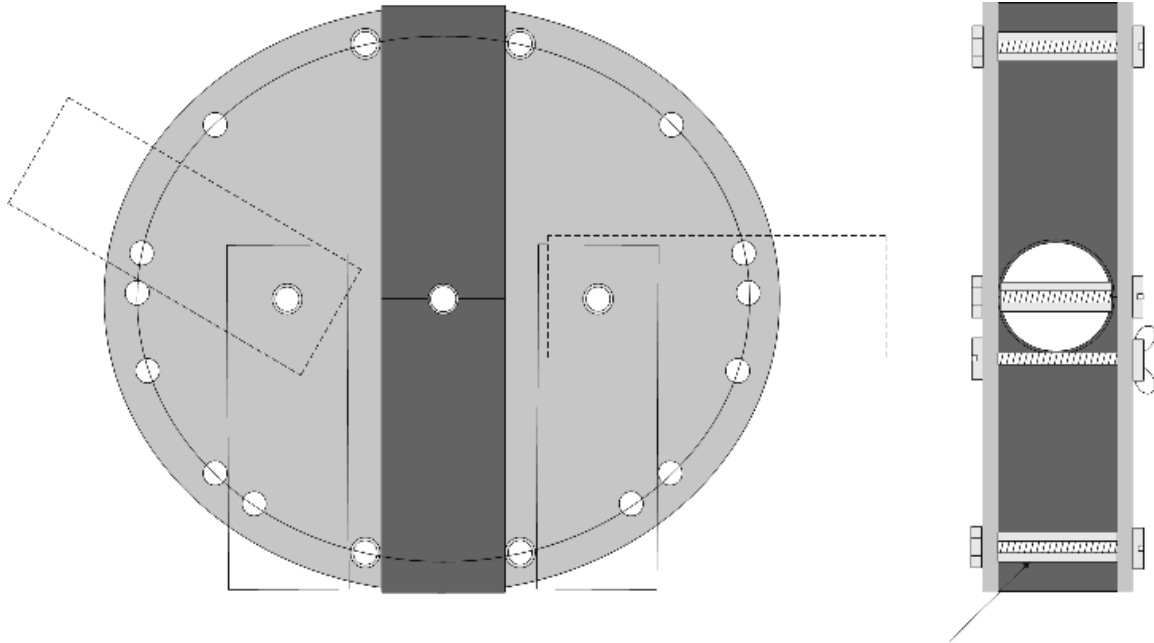


Portable Vee Dipole

Project to construct a portable Vee dipole

Based on ideas used in [DMV antenna](#) [Buddipole](#) [Comet H422](#)

Center boss made from aluminium plates sandwiched and drilled.



Title: Portable Vee Antenna tilt mechanism

Drawn by: M. Ehrenfried G6JNJ

Version: 1.2

Date: 13/02/2009

Pins can be inserted to set angle of V from 90, 60, 45 degrees or as vertical dipole



Tripod is a 3m high lighting stand



Poles are 6m fishing rods reinforced at end



Tuner is CG-3000 with balun



Ongoing project

To be done - on-air testing.

M. Ehrenfried - G8JNJ - V1.0 31/05/2009